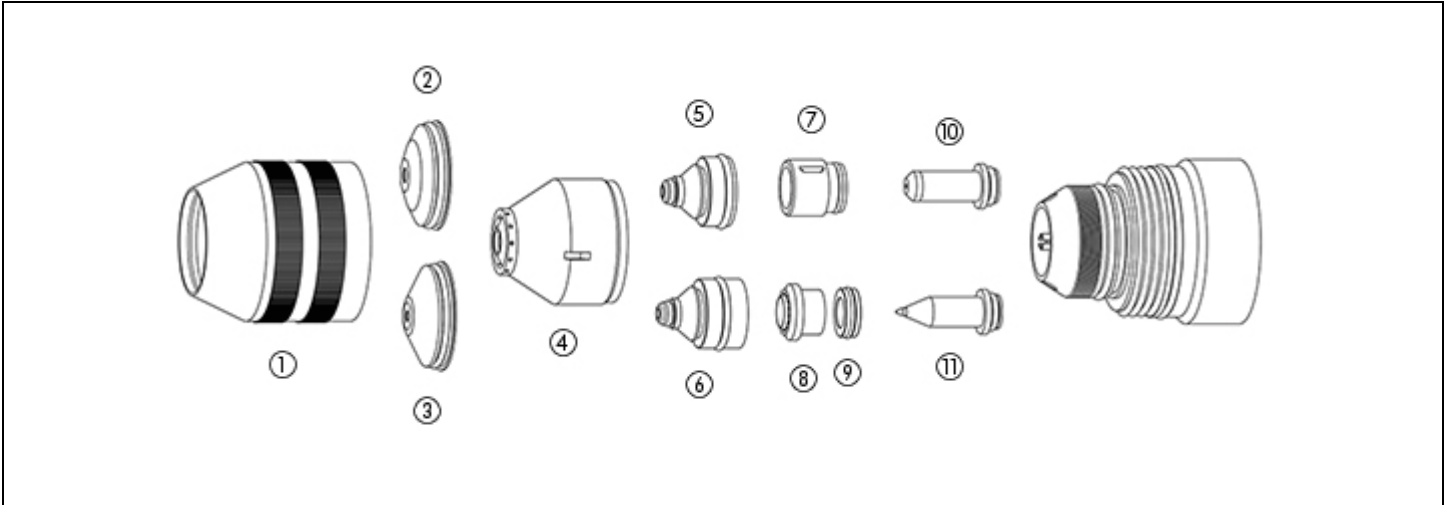


ProductLine: PerCut 160/170
System: HiFocus 160i®

Date: Dec-6-2013



Consumables					
#	PartNo	Reference	Description	Pkg Qty	UOM
1	C106-081	.11.835.201.081	Protection Cap, Z501	1	EA
2	C106-561	.11.835.201.1561	Swirl Gas Cap, 1.5mm, Z4015	1	EA
2	C106-571	.11.835.201.1571	Swirl Gas Cap, 2.0mm, Z4020	1	EA
2	C109-551	.11.835.201.1551	Swirl Gas Cap, 2.2mm, Z4022	1	EA
2	C106-581	.11.835.201.1581	Swirl Gas Cap, 2.5mm, Z4025	1	EA
2	C106-591	.11.835.201.1591	Swirl Gas Cap, 3.0mm, Z4030	1	EA
3	C106-1581	.11.835.411.1581	Swirl Gas Cap, 3.0mm, Z4530	1	EA
3	C109-580	.11.835.411.1580	Swirl Gas Cap, 3.5mm, Z4535	1	EA
2	C106-171	.11.835.401.1571	Swirl Gas Cap, 4.0mm, Z4140	1	EA
3	C106-1591	.11.835.411.1591	Swirl Gas Cap, 4.0mm, Z4540	1	EA
3	C109-590	.11.835.411.1590	Swirl gas cap, 4.5mm, Z4545	1	EA
4	K109-160	.11.842.401.160	Nozzle Cap, 0.4mm, S3004	1	EA
4	C109-162	.11.842.401.162	Nozzle Cap, 0.8mm, S3008	1	EA
4	C109-621	.11.842.401.1621	Nozzle Cap, 0.8mm, S3018	1	EA
	C109-622	.11.842.401.1622	Nozzle Cap, 0.8MM, S3028	1	EA
5	C109-406	.11.843.021.406	Nozzle, 0.6mm, 25 Amp, S2006X	10	EA
5	C109-407	.11.843.021.407	Nozzle, 0.7mm, 35 Amp, S2007X	10	EA

Consumables					
#	PartNo	Reference	Description	Pkg Qty	UOM
5	C109-408	.11.843.021.408	Nozzle, 0.8mm, 50/60 Amp, S2008X	10	EA
5	C109-409	.11.843.021.409	Nozzle, 0.9mm, 70/80 Amp, S2009X	10	EA
5	C109-410	.11.843.021.410	Nozzle, 1.0mm, 80/90 Amp, S2010X	10	EA
5	C109-411	.11.843.021.411	Nozzle, 1.1mm, 90/100 Amp, S2011X	10	EA
5	C109-112	.11.843.121.412	Nozzle, 1.2mm, 100 Amp, S2112X	10	EA
	C109-412	.11.843.021.412	Nozzle, 1.2mm, 100/130 Amp, S2012X	10	EA
5	C109-414	.11.843.021.414	Nozzle, 1.4mm, 130/160 Amp, S2014X	10	EA
5	C109-114	.11.843.121.414	Nozzle, 1.4mm, 130 Amp, S2114X	10	EA
5	C109-614	.11.843.111.614	Nozzle, 1.4mm, 120 Amp, S2514X	5	EA
5	C109-416	.11.843.021.416	Nozzle, 1.6mm, 160 Amp, S2016X	10	EA
5	C109-116	.11.843.121.416	Nozzle, 1.6mm, 160 Amp, S2116X	10	EA
6	C109-616	.11.843.111.616	Nozzle, 1.6mm, 140 Amp, S2516X	5	EA
6	C109-618	.11.843.111.618	Nozzle, 1.8mm, 160 Amp, S2518X	5	EA
7	C106-153	.11.835.221.153	Gas Guiding Cap, 0.4mm, O2, Z101	1	EA
	C109-154	.11.835.221.154	Gas Guiding Cap, 0.4mm, Z102	1	EA
8	K106-253	.11.834.321.153	Gas Guide Cap, O2, Z111	1	EA
9	C106-303	.11.835.421.303	Spacer, Z111A	1	EA
10	C109-1010	.11.843.021.310	Electrode, SilverLine®, O2 XL, S002X	1	EA
10	C109-1030	.11.843.121.310	Electrode, SilverLine®, O2 XL, S012X	1	EA
11	C109-510	.11.842.411.510	Electrode, S042	1	EA
11	C109-1510	.11.842.511.510	Electrode, S052	1	EA

Maintenance					
#	PartNo	Reference	Description	Pkg Qty	UOM
	K109-152	.11.842.401.152	Cooling Tube, S901	1	EA
	027055	8-4025, 632-596	O-Ring Lube	1	EA
	C109-QSC510	N/A	Quick Set-up Card, HF160i	1	EA
	K109-100	.11.843.021.100	Torch Head, Quick-Change, Percut 170	1	EA