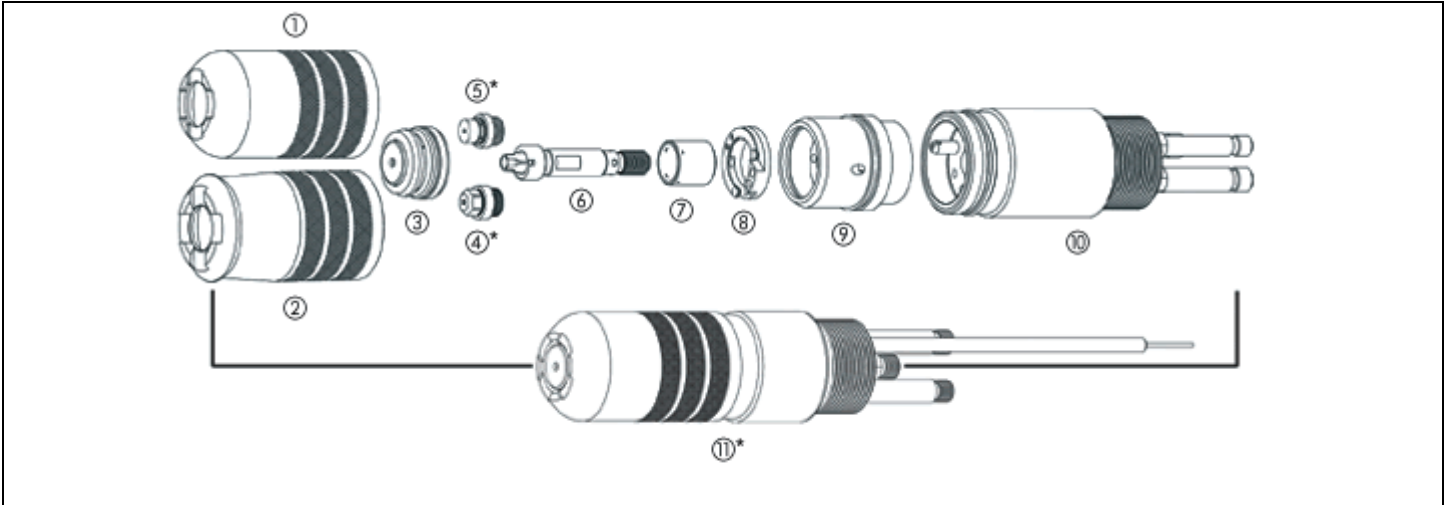


ProductLine: PT-15XL
System: PCM-8, ESP-400, ESP-600, ESP-1000

Date: Dec-6-2013



Consumables					
#	PartNo	Reference	Description	Pkg Qty	UOM
1	C10-758	0004485619, 20758	Nozzle Retaining Cap, Bevel, PT-15XL	1	EA
2	C10-759	0004485621, 20759	Nozzle Retaining Cap, PT-15XL	1	EA
	C10-262	0004485825, 21962	Nozzle, 300 Amp, Bevel	1	EA
	C10-063	0004485826, 21963	Nozzle, 300 Amp, Reverse Bevel	1	EA
3	C10-751	20751	Nozzle, O2, 260 Amp	1	EA
	C10-662	0004485805, 35662	Nozzle, O2, 300 Amp	1	EA
	C10-962	0004485805, 35662	Nozzle, O2, 300 Amp	1	EA
	C10-664	0004485807, 35664	Nozzle, O2, 340 - 360 Amp	1	EA
	C10-665	35665, 0004485808	Nozzle, O2, 340 - 360 Amp, Reverse	1	EA
	C10-920	20920	Nozzle, O2, .099, Rev Swirl	1	EA
	C10-317	37317	Nozzle, 125 Amp (Use w/ C10-142)	1	EA
	C10-318	N/A	Nozzle Base, 125 Amp	1	EA
	C10-319	N/A	Nozzle Insulator, 125 Amp	1	EA
	C10-661	N/A	Nozzle Base, O2, 300 Amp	1	EA
7	C10-586	0004485616, 2075586	Gas Baffle, Ceramic, 8 X .067, 260 Amp	1	EA
	L10-918	20918	Gas Swirl Baffle, 8X.067, REV, 260 Amp	1	EA
	C10-142	0004485612, 948142	Gas Swirl Baffle, 4X.032, 100-280 Amp	1	EA

Consumables					
#	PartNo	Reference	Description	Pkg Qty	UOM
	L47-143	948143, 0558002534, 0004485613	Gas Swirl Baffle, 4X.032, REV, 70-200 Amp	1	EA
	C10-660	0004485803, 0558001625, 35660	Gas Swirl Baffle, 8X.047, 300-600 Amp	1	EA
	L47-661	35661	Gas Swirl Baffle, 8X.047, Rev, 250-400 Amp	1	EA
4	C10-1063	20763UL, 20763XL, 0558004456, 20763, 0004485615	Electrode, SilverLine®, 260 Amp	1	EA
5	C10-1066	35666UL, 0558004459, 35666, 0004485809, 35666XL	Electrode, SilverLine®, 300-340 Amp	1	EA
	C47-1096	0004485684, 34086XL, 34086, 0558004458, 34086UL	Electrode, SilverLine®, 50-250 Amp	1	EA
	C10-763	20763	Electrode, O2	1	EA
6	C10-398	0004485618, 20398	Electrode Tip Holder, O2	1	EA
	C47-084	34084, 0004485685	Electrode Holder	1	EA
8	C10-940	21940, 0004485685	Contact Ring Ass'y	1	EA
	C10-932	N/A	O-Ring Kit, Insulator Body	1	EA
	C10-W99	0004485671, 86W99	O-Ring, Electrode Holder	5	EA
	C10-W85	86W85	O-Ring, Insulator Body Center	5	EA
	C10-526	996526	O-Ring, Insulator Body Small	5	EA
	C10-527	996527	O-Ring, Inside Insulator Body, Front	5	EA
	C10-528	996528	O-Ring, Outside Insulator Body & Torch	5	EA
	C10-106	2064106	O-Ring, Insulator Body Rear Edge, Red	5	EA

Maintenance					
#	PartNo	Reference	Description	Pkg Qty	UOM
9	C10-755	0004485657, 20755	Insulator Body with O-Ring, PT-15XL	1	EA
10	C10-754	0004485656, 20754	Torch Body, PT-15XL	1	EA
11	C10-954	16365	Torch Assembly, SilverLine®, 260 Amp	1	EA
11	C10-955	16365	Torch Assembly, SilverLine®, 300 Amp	1	EA
	C10-483	0004470135, 19483, 0558001626, 37064	Double Threaded Mounting Tube	1	EA
	L10-630	999630, 0004485650	Nozzle/Electrode Stem Tool	1	EA
	027055	8-4025, 632-596	O-Ring Lube	1	EA
	C10-QSC630	N/A	Quick Set-up Card, PT-15XL	1	EA
	C10-403	20403	PA Bus Insulator	1	EA